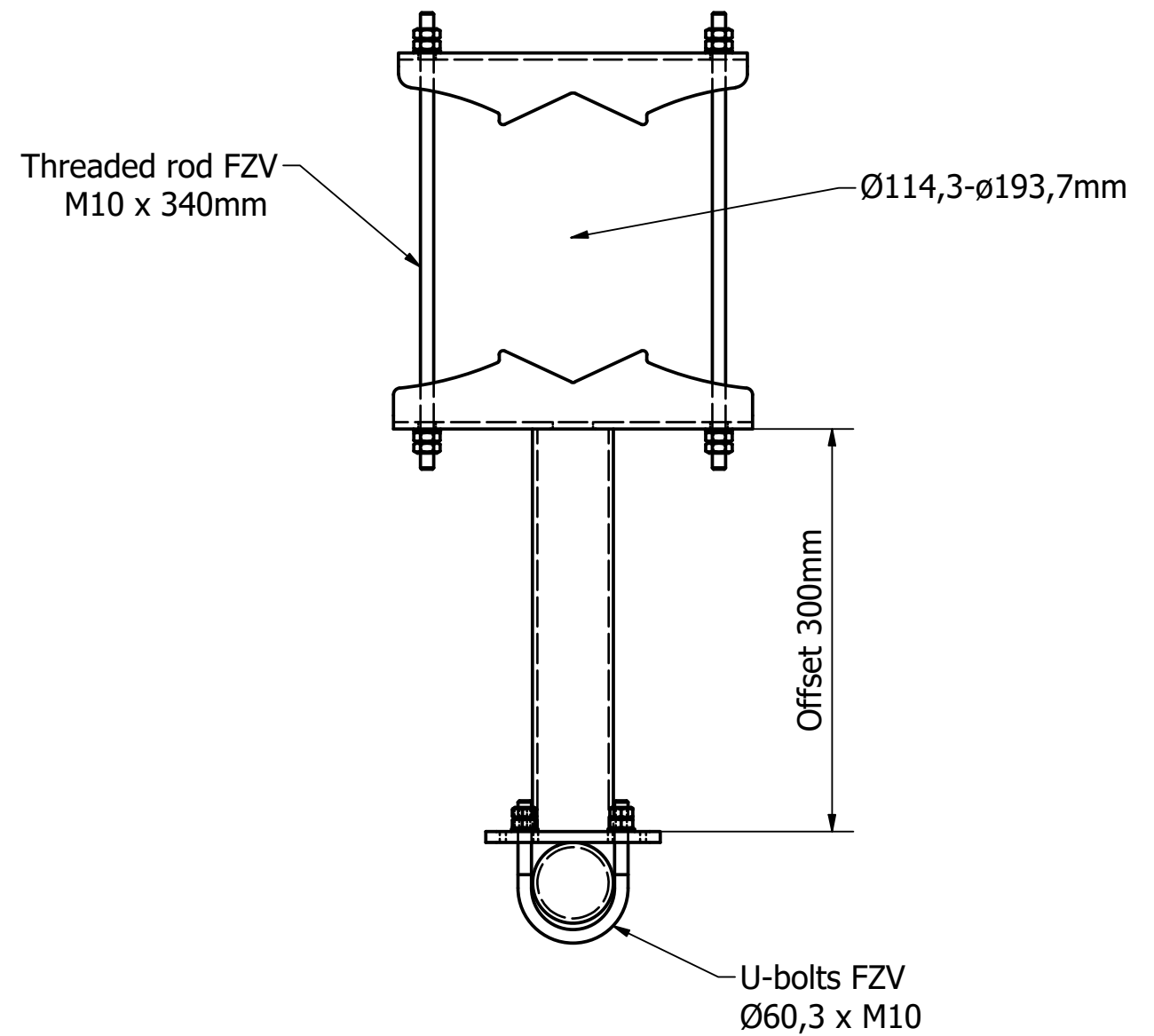


Steel quality
 Steel: s235/s355
 Bolts: 8.8 FZV
 U-bolts: s355 FZV
 Threaded rod: s355 FZV


Performance

This data sheet covers offset from 75mm to 300mm
 Max vertical load from equipment per pole: 175kg
 Max horizontal load from equipment per pole incl safety factor: 5,1kN
 Max geometric equipment area per pole: 1,7m²
 Max installation height: 70meter
 Terrain classification: TC1
 Reference wind speed: 27m/s
 M10 nut tightening torque: 30Nm
 M10 2nd nut tightening torque: 47Nm

Installation and maintenance guides are available on our website www.telecomsteel.com



Item numbers							
Size	1000mm	1500mm	2000mm	2500mm	3000mm	3500mm	4000mm
	44100	44110	44120	44130	44140	44150	44160

Designed by ABP	Checked by	Approved by	Date	Date 19-05-2025
 TELECOMSTEEL DANISH DESIGN & QUALITY			SP mast ø114,3-ø193,7mm 300mm	
			Revision D	Sheet 1 / 1