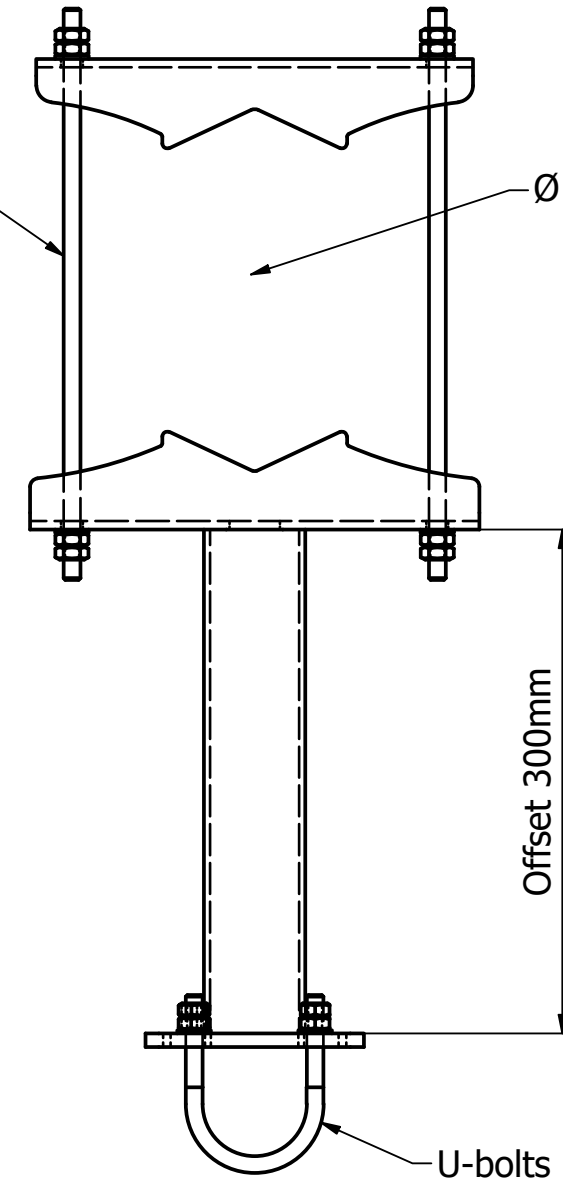


Threaded rod
M10x330mm FZV

Ø114,3-Ø193,7mm



U-bolts FZV
Ø60,3 x M10

Steel quality

Steel: s235/s355

Bolts: 8.8 FZV

U-bolts: s355 FZV

Threaded rod: s355 FZV

Performance

This data sheet covers offset from 75mm to 300mm

Max vertical load from equipment per bracket: 87,5kg

Max horizontal load from equipment per bracket incl safety factor: 2,55kN

Max geometric equipment area per bracket: 0,85m²

Max installation height: 70meter

Terrain classification: TC1


Reference wind speed: 27m/s

M10 nut tightening torque: 30Nm

M10 2nd nut tightening torque: 47Nm

Installation and maintenance guides are available on our website www.telecomsteel.com

| TABLE | |
|-------|-------|
| Size | 1 arm |
| | 44168 |

| | | | | |
|--|------------|-------------|-------------------------------------|--------------------|
| Designed by ABP | Checked by | Approved by | Date | Date 19-05-2025 |
|  TELECOMSTEEL DANISH DESIGN & QUALITY | | | Extra bracket ø114,3-ø193,7mm 300mm | |
| | | | Revision D | Sheet 1 / 1 |