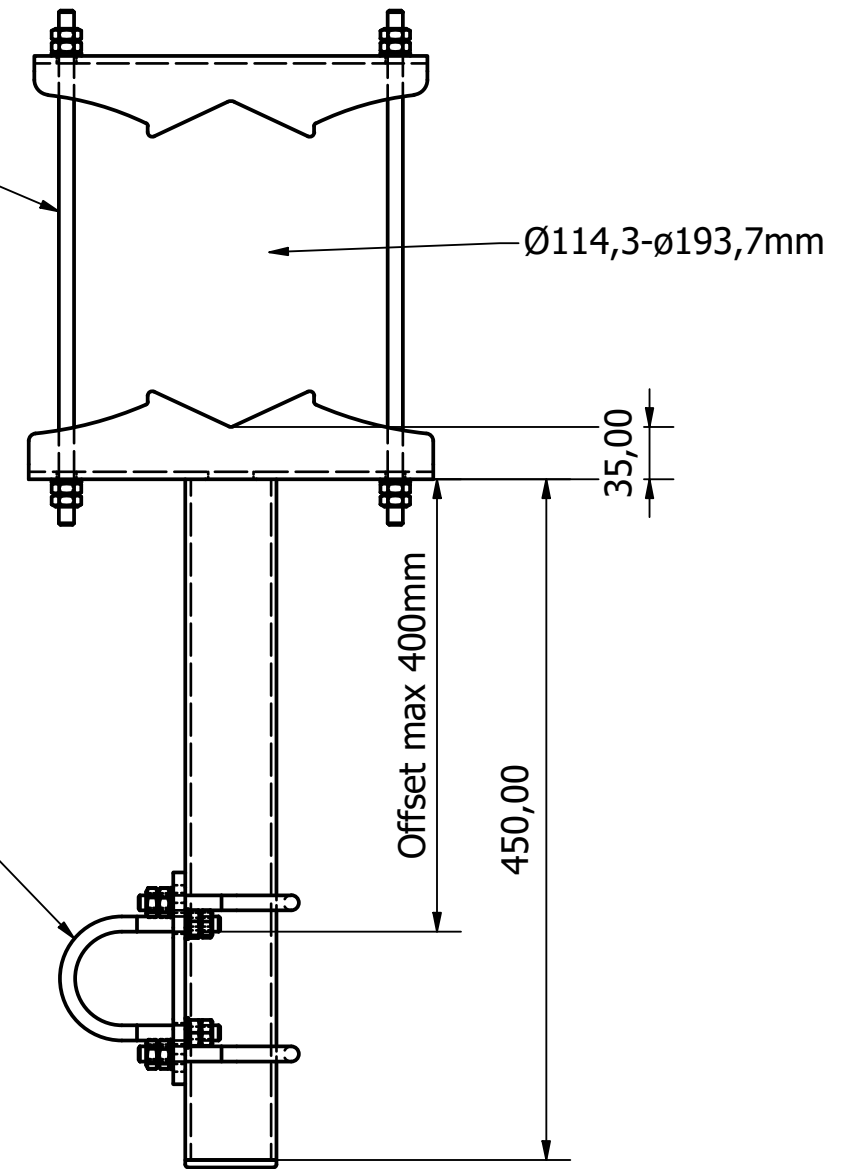


Threaded rod FZV  
M10 x 330mm

U-bolts FZV  
Ø60,3 x M10



Steel quality  
 Steel: s235/s355  
 Bolts: 8.8 FZV  
 U-bolts: s355 FZV  
 Threaded rod: s355 FZV

Performance  
 This data sheet covers offset from 75mm to 400mm  
 Max vertical load from equipment per bracket: 75kg  
 Max horizontal load from equipment per bracket incl safety factor: 2,25kN  
 Max geometric equipment area per bracket: 0,75m<sup>2</sup>  
 Max installation height: 70meter  
 Terrain classification: TC1  
 Reference wind speed: 27m/s  
 M10 nut tightening torque: 30Nm  
 M10 2nd nut tightening torque: 47Nm

Installation and maintenance guides are available on our website [www.telecomsteel.com](http://www.telecomsteel.com)

Item number	
Size	1 arm
44368	

Designed by ABP	Checked by	Approved by	Date	Date 19-05-2025
<b>TELECOMSTEEL</b> DANISH DESIGN & QUALITY			Extra bracket ø114,3-ø193,7mm adj 400mm	
			Revision D	Sheet 1 / 1